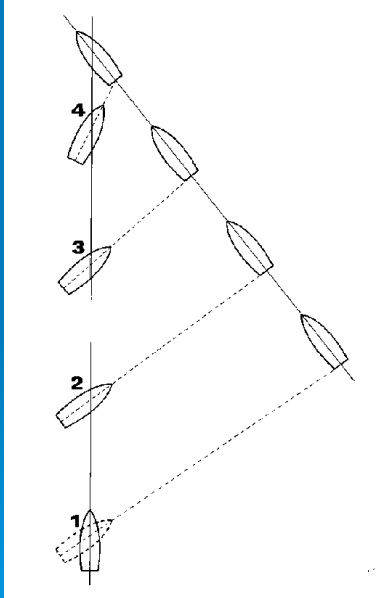


Rule 8 - Action to avoid collision



Alteration of course alone

- There must be sufficient sea-room
- The action must be made in ample time
- The alteration of shall be substantial
- Another close-quarters situation shall be avoided
- Pass one another at a safe distance
- **Do not keep on steering on the stern of the vessel** (see Figure)